

D

C

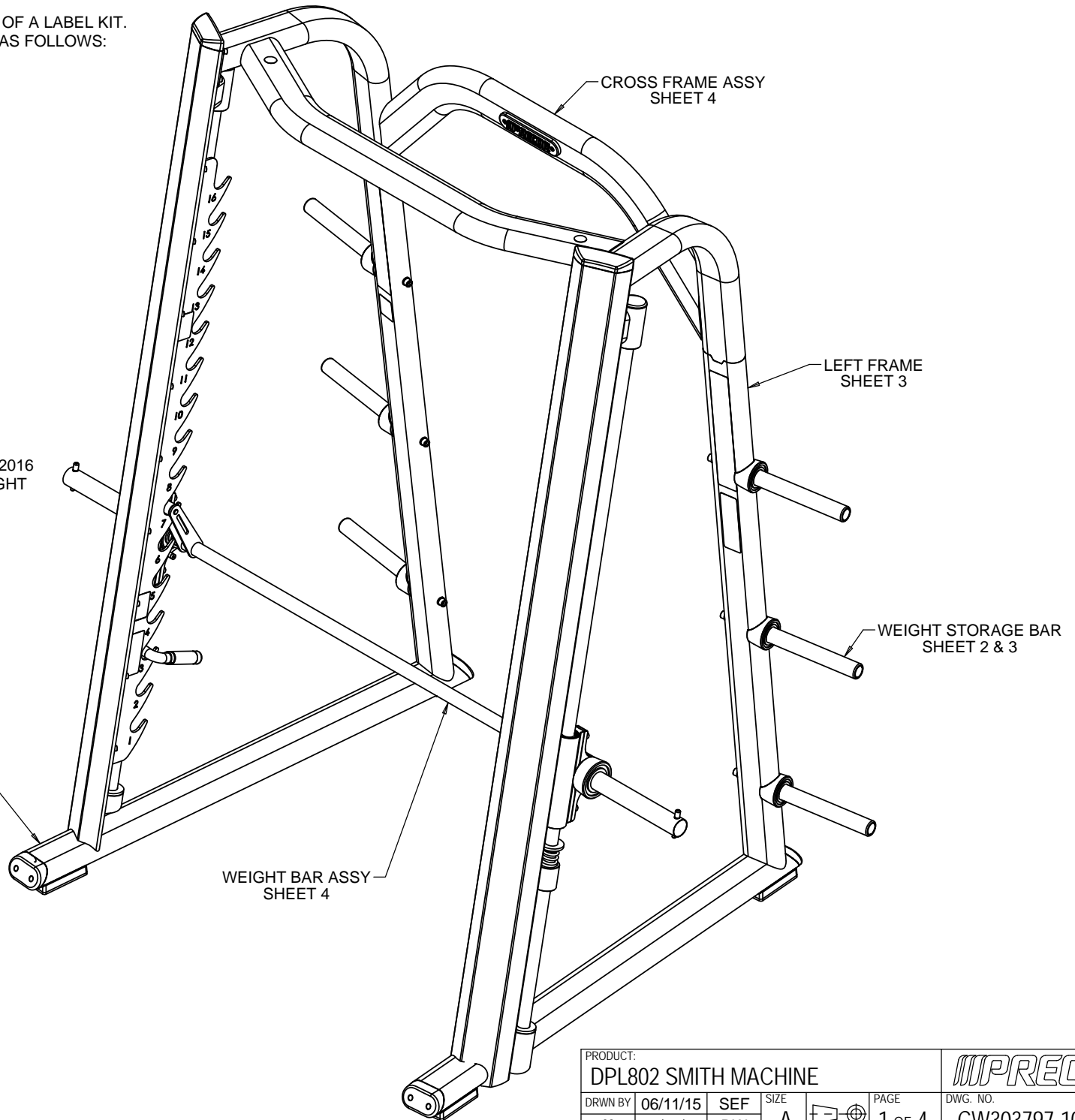
B

A

1 THIS LABEL IS FURNISHED AS PART OF A LABEL KIT.  
ORDER REPLACEMENT LABEL KITS AS FOLLOWS:

- 201 ENGLISH
- 202 CHINESE
- 203 DUTCH
- 204 FRENCH
- 205 GERMAN
- 206 HEBREW
- 207 ITALIAN
- 208 JAPANESE
- 209 BR PORT
- 210 IB PORT
- 211 RUSSIAN
- 212 SPANISH

2 UNITS BUILT PRIOR TO AUGUST 15, 2016  
WILL NEED TO REPLACE BOTH WEIGHT  
HORNS IF REPLACING BUBBLE 5.

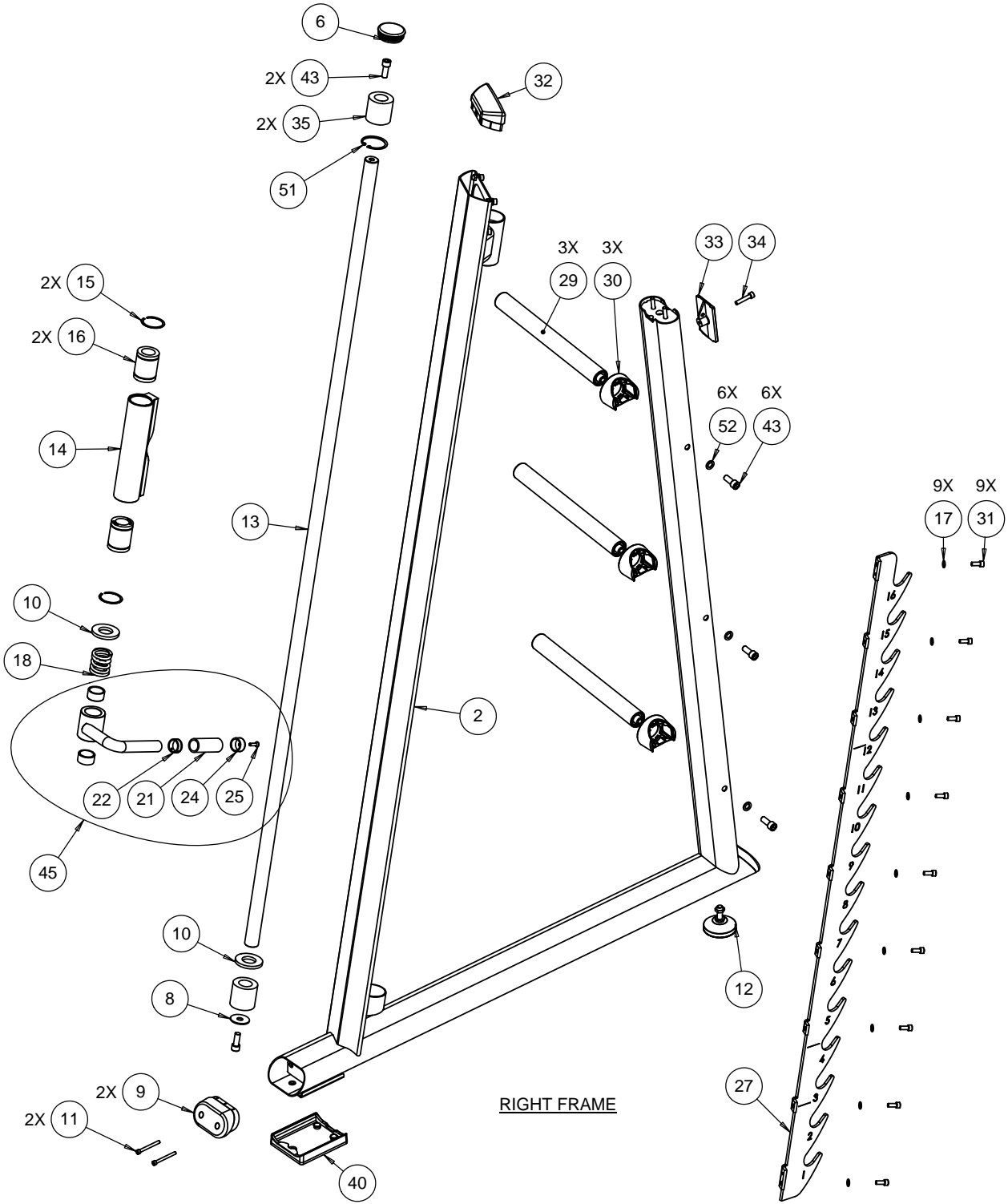


PRODUCT:  
**DPL802 SMITH MACHINE**



DRWN BY	06/11/15	SEF	SIZE	PAGE	DWG. NO.	SUBREV
CS	06/11/15	DW	A	1 OF 4	CW303797-101	A04

DRAWING TEMPLATE REV. D



RIGHT FRAME

D

C

B

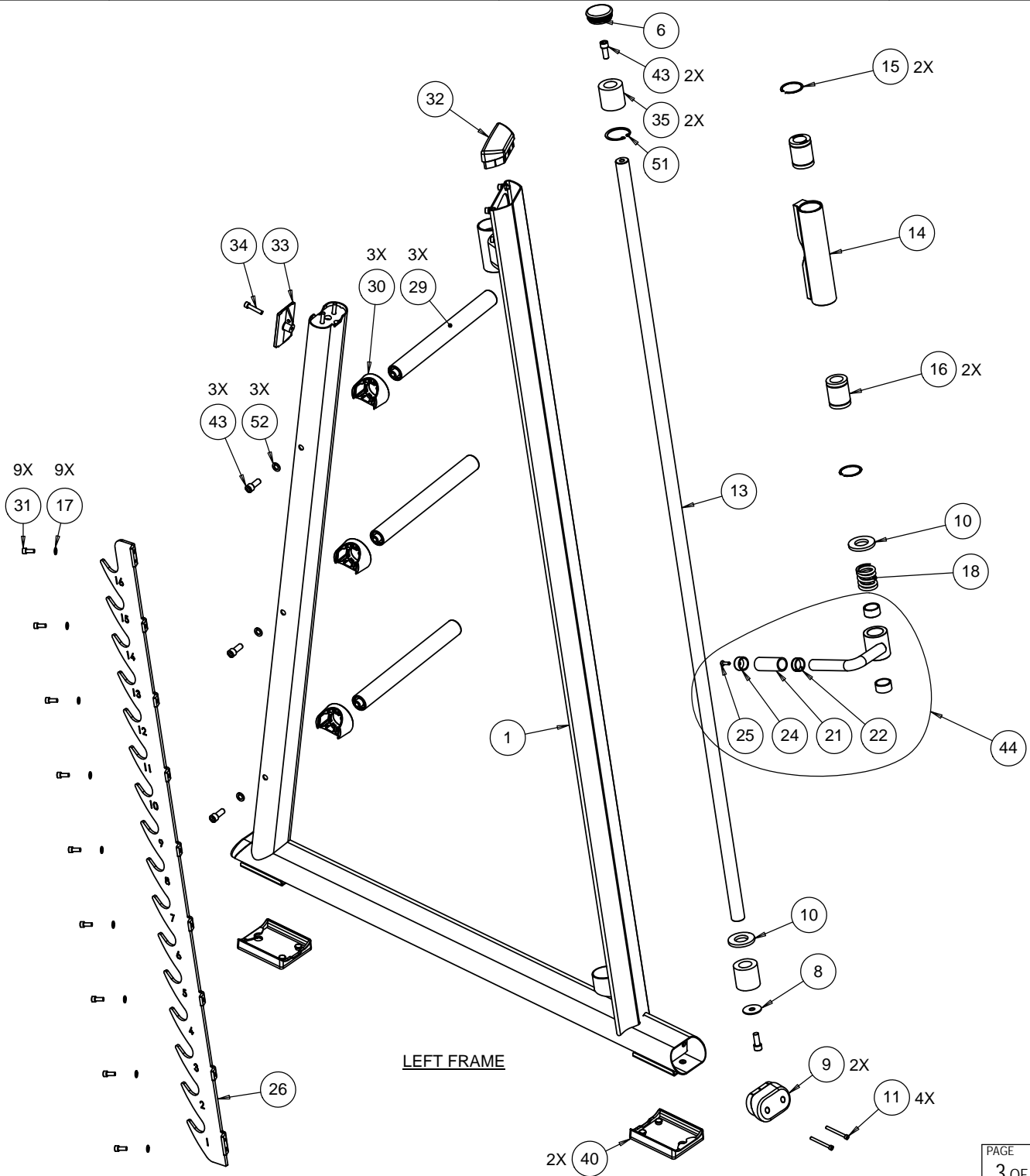
A

4

3

2

1



LEFT FRAME

D

C

B

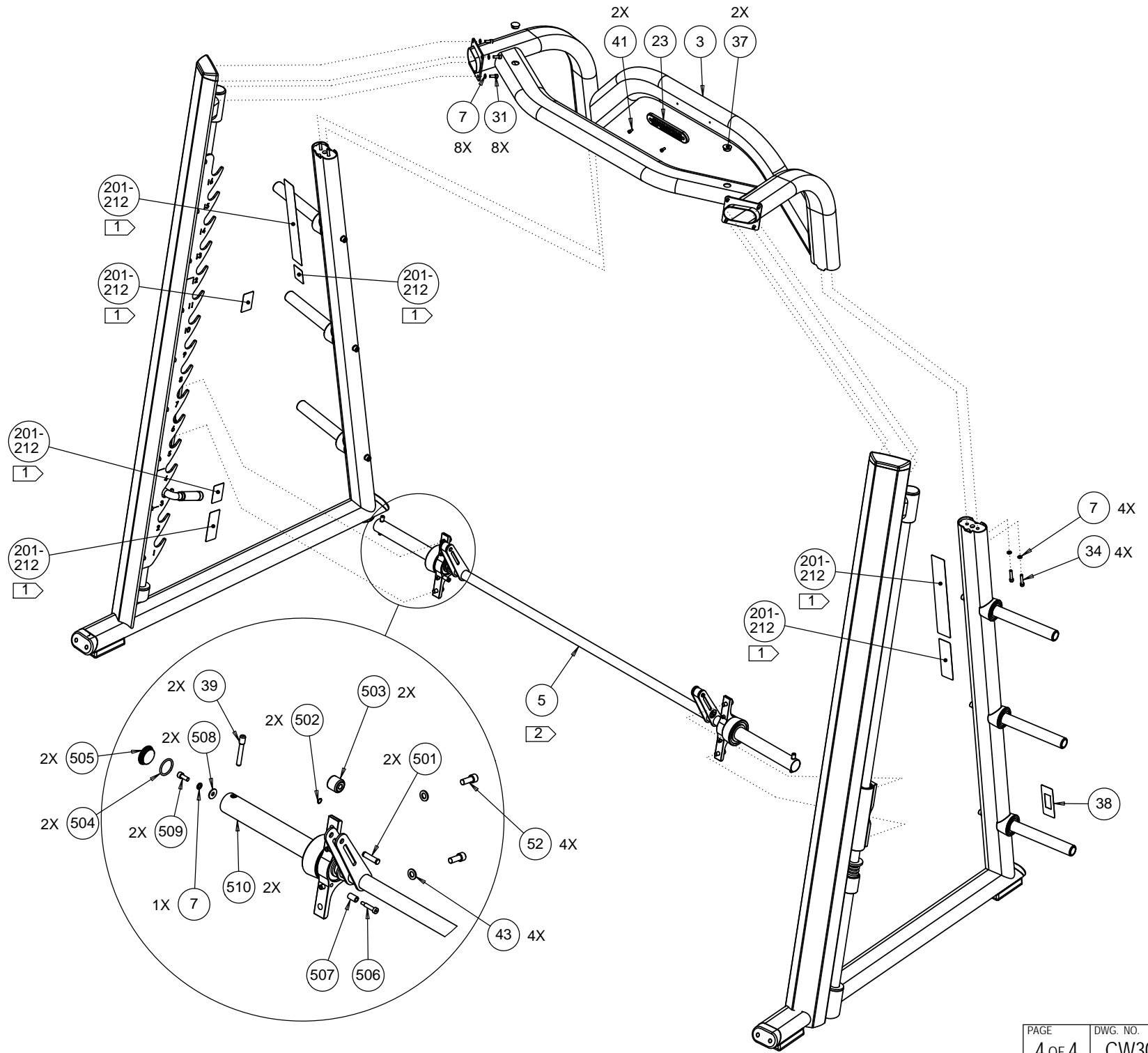
A

4

3

2

1



Bubble#	OEM Number	Description
5	PPP00000CW40233101	WLDMNT, BAR, DPSM
5.1	PPP00000CW40232103	ASSY, BAR, DPSM
6	PPP00000CW11382110	CAP, TUBE, PLASTIC, ROUND, RN2-1/2C
7	PPP00CWBBWCN008019	WASHER, SPLIT, M8 X 1.9MM THICK, CZ
8	PPP00CWABCN050010	WASHER, FENDER, 1/2 ID X 1 3/4 OD,
9	PPP00000CW40223101	CAP, 2X5 DD, BLACK PLASTIC, DISCOVE
10	PPP000CWJKN125260	WASHER,STEEL FLAT A, HARDEND,1-9/32
11	PPP000CWCEKN006060	SCREW,SHC,M6-1.0X 60,BZ
12	PPP000CWP021300101	ASSY, ADJUST FOOT
13	PPP00000CW40225101	GUIDE ROD, 1.25 in. OD X 81.18 in. L, TAP
15	PPP000CWACNN206039	RING,RETAIN,INT,2.06ODX.039W,SMALLE
16	PPP00000CW12571104	LINEAR BEARING, CLOSED TYPE, 1.250/
17	PPP000CWVKCN008016	WASHER, FLAT, STEEL, METRIC, M8 X 1
18	PPP00000CW40253101	SPRING, SAFETY STOP, DPSM
21	PPP00000CWGR5003250	GRIP,RUBBER,1 in. ID X 3.25 in. L,CITRON
22	PPP00000CWAC219902	HNDL RETAINER RNG, W/SS,1.040 in. I.D.
23	PPP00000CW40268101	BADGE, FLAT, CAST
24	PPP00000CW34091101	HANDLE END CAP, ALUM,
25	PPP000CWMAKCN006025	SCREW, FH SOCKET, M6-1.0 X 25, CZ
29	PPP000CWP044110101	ASSY, WT STORAGE BAR, LONG, PLATE L
30	PPP00000CW40222101	BUMPER,1.5 in.OD,STORAGE HORN,DS
31	PPP000CWCECN008020	SCREW,SHC,M8-1.25X20,CZ
32	PPP00000CW40508101	CAP,TRAP,BLACK PLASTIC,SINGLE PC,DI
33	PPP00000CW40224101	CASTING,ACCESS HOLE COVER,PC,DISCOV
34	PPP000CWCRCN008040	SCREW,SHC,M8-1.25X40,FULL THREAD,CZ
35	PPP00000CW40220101	BUMPER, GUIDE ROD, DPSM
37	PPP00000CW11095109	CAP, PLASTIC, HEYCO, DOME PLUG, 1.0
38	PPP00000CW39169101	LABEL,REGULATORY,DOMESTIC STRENGTH
39	PPP00000CW40547102	PIN, .375 WT PLATE RETENTION, DPSM
40	PPP000CWP012600101	FOOT MAT
41	PPP000CWCECN006016	SCREW,SHC,M6-1.0X 16,CZ
43	PPP000CWCECN012030	SCREW,SHC,M12-1.75X30,CZ
46	PPP000CWVKCN012025	WASHER, FLAT, STEEL, METRIC, M12 X

51	PPP000CWACHN225078	SNAP RING RETAINER,INTERNAL 2 1/4
501	PPP00000CW40238101	BAR, YOKE BEARING PIN, DPSM
502	PPP000CWAMNN041025	RING,EXT,SPIRAL,0.412IDX0.025T
503	PPP00000CW40569101	PLASTIC, ROLLER BEARING, 1.25ODX1.1
504	PPP00000CW10115121	O-RING, 1.359 ID, .139 WIDTH, BUNA-
505	PPP00000CW40605102	BAR, ALUMINUM RND PLUG, DIA 1.79 X
506	PPP000CWRENN006030	BOLT,SHOULDER,M6-1.0X8 X30
507	PPP00000CW40575101	PLASTIC, BAR ROTATE STOP PEG SLEEVE
508	PPP000CWWNCN008018	WASHER, FLAT, STEEL, METRIC, 8.4MM
509	PPP000CWCECN008020	SCREW,SHC,M8-1.25X20,CZ
510	PPP00000CW39333101	ASSY,WEIGHT HORN,802 SMITH